

## DM7402 Quad 2-Input NOR Gates

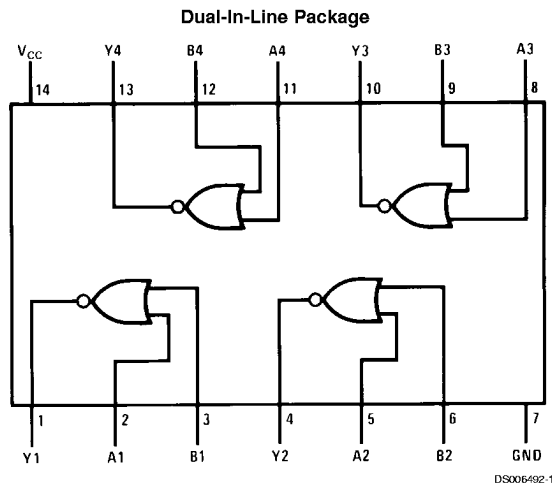
### General Description

This device contains four independent gates each of which performs the logic NOR function.

### Features

- Alternate Military/Aerospace device (5402) is available. Contact a Fairchild Semiconductor Sales Office/Distributor for specifications.

### Connection Diagram



Order Number 5402DMQB, 5402FMQB, DM5402J, DM5402W or DM7402N  
See Package Number J14A, N14A or W14B

### Function Table

$$Y = \overline{A + B}$$

Inputs		Output
A	B	Y
L	L	H
L	H	L
H	L	L
H	H	L

H = High Logic Level  
L = Low Logic Level